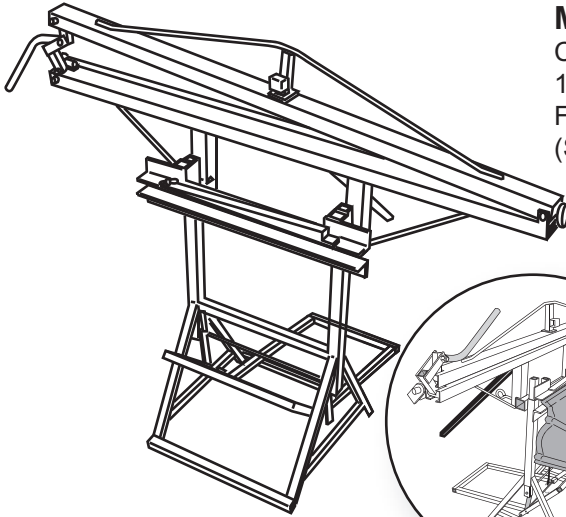


Installation Kit



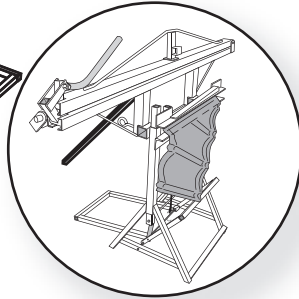
METRO INSTALLATION KIT (Part No. 505104)

Complete kit consisting of:

1-Foot Bender, 1-Top Bender, 1-Cutter

Full Kit weight 165 lbs. (75.00kg)

(Short legs & Batten Spacers sold individually.)



Top Bender (Part No. 505102)

61"x18"x4", 62 lbs. (28.1kg)

Bottom Bender (Part No. 505103)

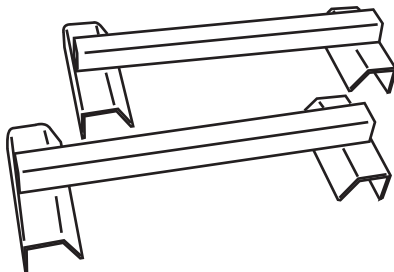
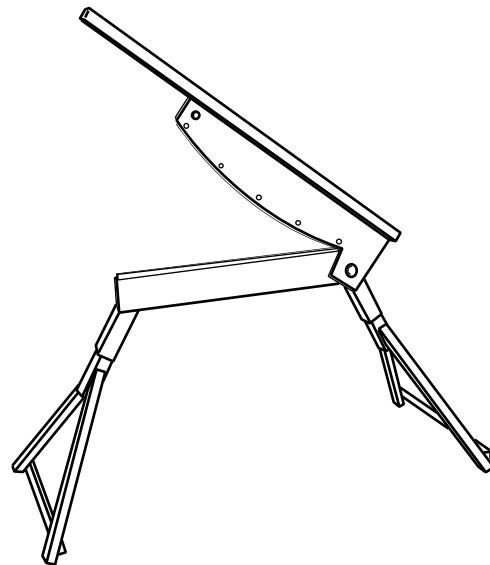
34"x20"x16", 46 lbs. (20.9kg)

Cutter (Part No. 505101)

14"x40"x3", 39lbs. (17.7kg)

Universal Cutter is used to cut all Metro profiles.

(Short legs are sold individually.)



Batten Spacer (Part No. 508100)

14.5"x7" 2.7 lbs. (1.2kg)

2 per kit, sold individually.

Metro Roof Products

3093 'A' Industry Street, Oceanside CA 92054

PH: (866) METRO - 4U

www.smartroofs.com